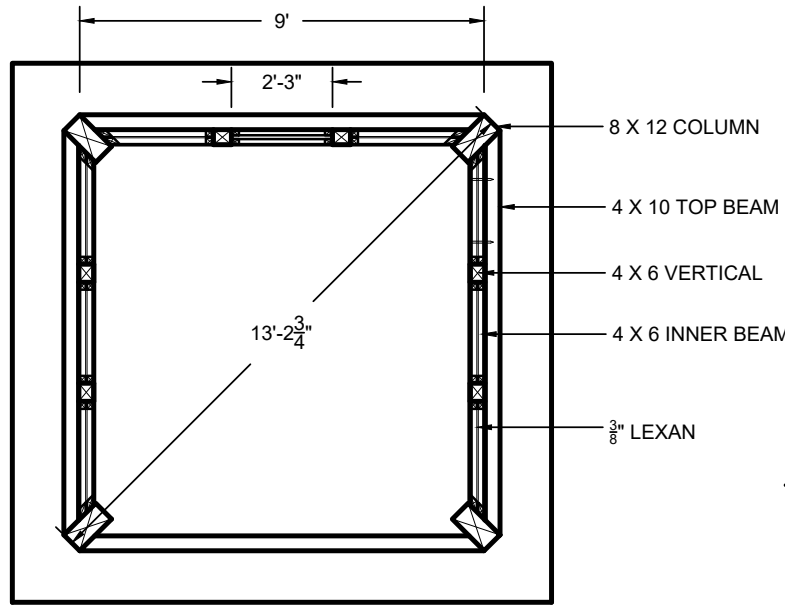
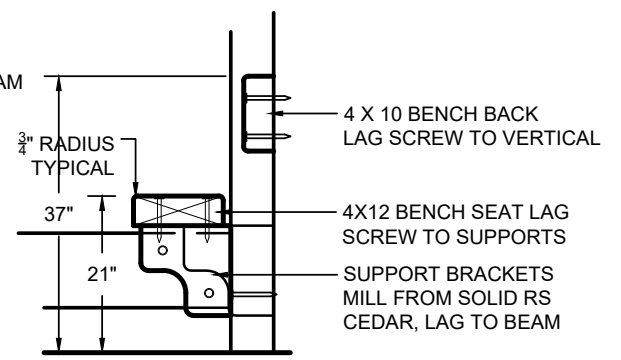


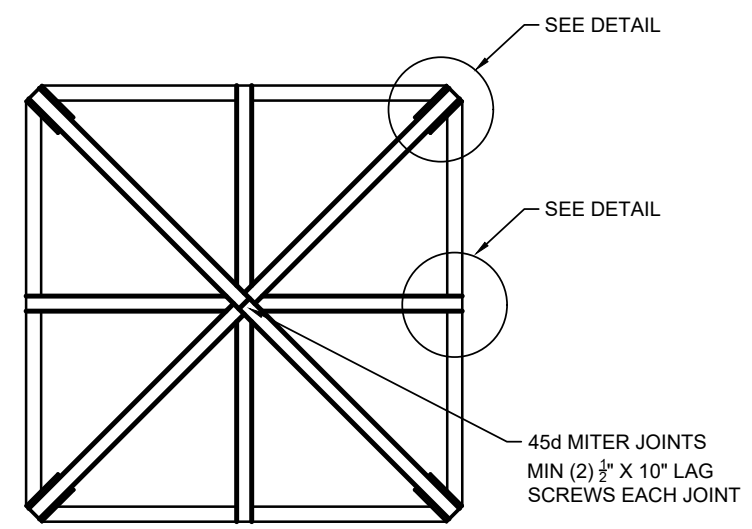
PLAN - SECTION A-A
 $\frac{1}{8}'' = 1'-0''$



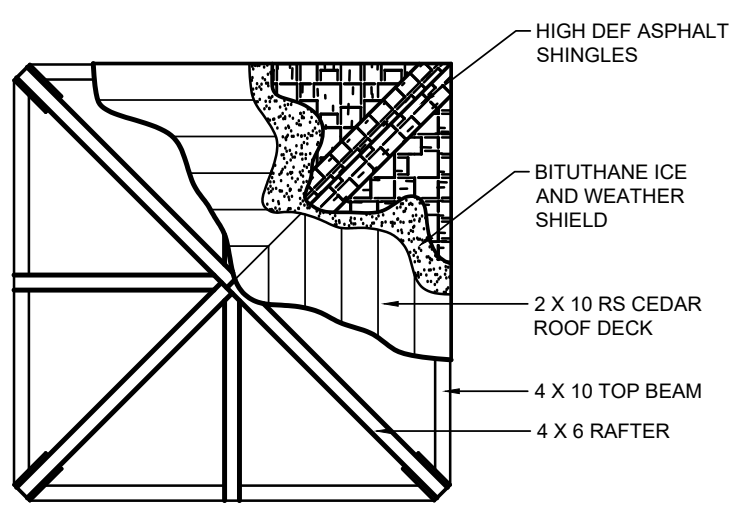
PLAN - SECTION B-B
 $\frac{1}{8}'' = 1'-0''$



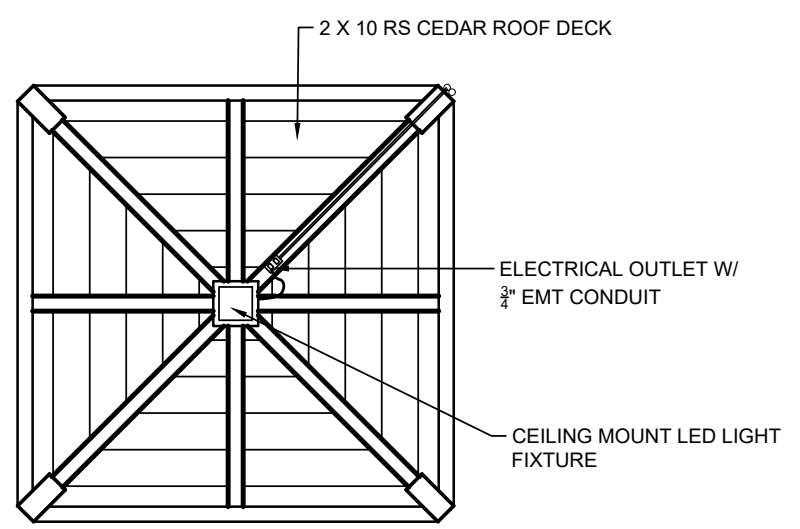
BENCH DETAIL
 $\frac{1}{4}'' = 1'-0''$



RAFTER PLAN
 $\frac{1}{8}'' = 1'-0''$



ROOF PLAN
 $\frac{1}{8}'' = 1'-0''$



REFLECTED CEILING PLAN
 $\frac{1}{8}'' = 1'-0''$

TOWN OF VAIL
 Dept. of Public Works
 1309 Elkhorn Drive
 Vail, CO 81657
 ph. 970-479-2158
 www.vailgov.com

STANDARD WOODED BUS SHELTER
 PLAN VIEWS

| | |
|--------------|----------|
| DESIGNED BY | |
| FILE NAME | 10/9/17 |
| DATE | |
| TOWN JOB NO. | |
| SCALE | VARIABLE |
| SHEET | A-1 |